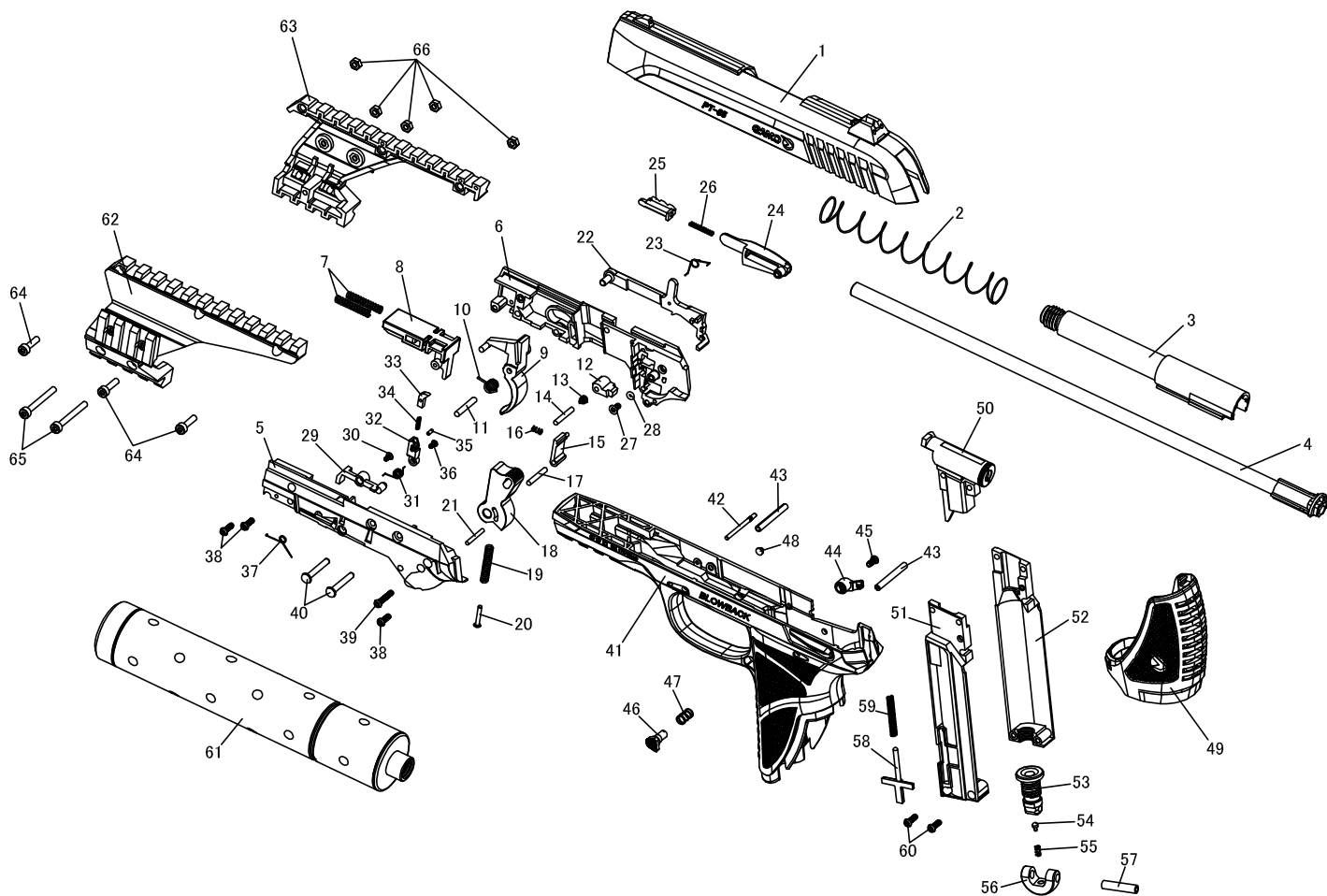


PT-85 BLOWBACK TACTICAL



- | | | |
|--------------------------------|-------------------------------|---|
| 1. Slide Assembly | 23. Trigger Bar Spring | 45. Magazine Catch Screw |
| 2. Recoil Spring | 24. Safety | 46. Magazine Catch Button |
| 3. Outer Barrel | 25. Safety Lock | 47. Magazine Catch Spring |
| 4. Inner Barrel Assembly | 26. Safety Lock Spring | 48. Red Dot |
| 5. Mechanism Frame Left | 27. Safety Screw | 49. Grip Bottom |
| 6. Mechanism Frame Right | 28. Space O-ring | 50. Valve Assembly |
| 7. Buffer Spring | 29. Hand Lever | 51. Puncture Frame Left |
| 8. Slide Block | 30. Hand Lever Screw | 52. Puncture Frame Right |
| 9. Trigger | 31. Hand Spring | 53. Puncture Adjuster Screw |
| 10. Trigger Spring | 32. Hand | 54. Puncture Screw Click Plunger |
| 11. Trigger Pin | 33. Pawl | 55. Puncture Screw Click Plunger Spring |
| 12. Hammer Block Piece | 34. Pawl Spring | 56. Puncture Adjuster Screw Knob |
| 13. Hammer Block Piece Spring | 35. Pawl Pin | 57. Puncture Screw Pin |
| 14. Hammer Block Piece Pin | 36. Hand Screw | 58. Magazine Release |
| 15. Sear | 37. Hand Lever Spring | 59. Magazine Release Spring |
| 16. Sear Spring | 38. Mechanism Frame Screw (S) | 60. Puncture Frame Screw |
| 17. Sear Pin | 39. Mechanism Frame Screw (L) | 61. Silencer Assembly |
| 18. Hammer | 40. Valve Body Pin | 62. Mount Assembly left |
| 19. Hammer Spring | 41. Frame | 63. Mount Assembly Right |
| 20. Hammer Spring Guide | 42. Slide Block Pin | 64. Mount Screw (S) |
| 21. Hammer Spring Pressure Pin | 43. Mechanism Frame Pin | 65. Mount Screw (L) |
| 22. Trigger Bar | 44. Magazine Catch | 66. Mount Screw Nut |